

# Access Control Camera (Face Recognition/Temperature Indicator)



Distributor: [EMS Test Measurement Sdn Bhd](#)

No.76, Jalan Masjaya 1, Kawasan Perindustrian Mas Jaya

43200 Cheras, Selangor, Malaysia / Web: [www.ems-info.com.my](http://www.ems-info.com.my)

Central: Mr Desmond +6012-6960917 / Mr Bruce +6012-2245660

Northern: Mr Lawrence +012-4873753 / Mr Alvin +6012-4701023 / Mr John +6017-8592338

Southern: Mr Goh +6012-7749785

## Features:

- Non-contact temperature taking automatically while recognizing face, efficient and effective.
- Temperature range: 30-45 (°C) ±0.3 (°C) accuracy.
- Detecting people without wearing mask, push alarm message.
- Can set high temperature alarm.
- Support temperature data SDK and HTTP protocol integration with third party platform.
- Support information auto log, no need extra manual operation.
- Professional face recognition algorithm with high accuracy, recognition time <500ms
- Support wide dynamic≥80dB, can exposure moving object to get a clear image under strong backlight environment.
- Linux operation system, reliable and stable.
- Windows/Linux SDK and HTTP protocol.
- 8 inch IPS high resolution displayer.
- IP34
- MTBF>50000 H
- Support 22400 faces database and 100000 face recognition records
- Support one Weigand input and output.
- Support anti-fog, 3D noise reduction, BLC, stabilizer, and different white balance to fit for different application requirements.
- Support speaker (Human temperature normal/high alarm, face recognition result)
- 0°C-+50°C working temperature.

Distributor: EMS Test Measurement Sdn Bhd

No.76, Jalan Masjaya 1, Kawasan Perindustrian Mas Jaya

43200 Cheras, Selangor, Malaysia / Web: [www.ems-info.com.my](http://www.ems-info.com.my)

Central: Mr Desmond +6012-6960917 / Mr Bruce +6012-2245660

Northern: Mr Lawrence +012-4873753 / Mr Alvin +6012-4701023 / Mr John +6017-8592338

Southern: Mr Goh +6012-7749785

## Specification:

Model	VC-FT200FR
<b>Hardware</b>	
Chipset	Hi3516DV300
System	Linux operation system
RAM	16G EMMC
Image sensor	1/2.7" CMOS
Lens	4mm
<b>Camera Parameters</b>	
Effective pixel	2Mega pixel, 1920*1080
Min. lux	Color 0.01Lux @F1.2(ICR);B/W 0.001Lux @F1.2
SNR	≥50db(AGC OFF)
WDR	≥80db
<b>Face Recognition</b>	
Height	1.2-2.2 M, angle adjustable
Distance	0.5-3 Meters
View angle	Vertical ±30 degree
Reco. Time	<500ms
Function	Support 22400 faces database and 100000 records
<b>Temperature</b>	
Range	30-45 (°C)
Accuracy	±0.3 (°C)
Distance	≤0.5 米

Distributor: EMS Test Measurement Sdn Bhd

No.76, Jalan Masjaya 1, Kawasan Perindustrian Mas Jaya

43200 Cheras, Selangor, Malaysia / Web: [www.ems-info.com.my](http://www.ems-info.com.my)

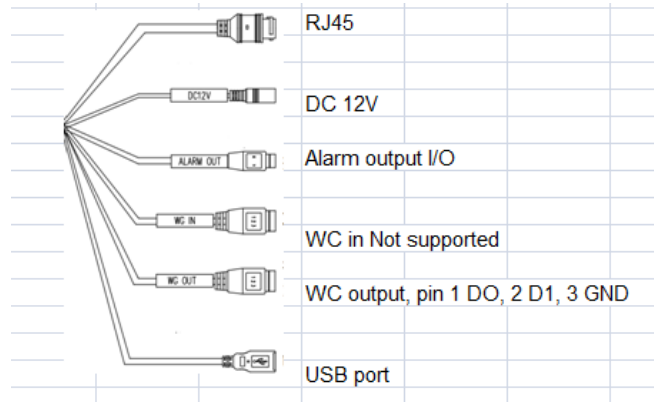
Central: Mr Desmond +6012-6960917 / Mr Bruce +6012-2245660

Northern: Mr Lawrence +012-4873753 / Mr Alvin +6012-4701023 / Mr John +6017-8592338

Southern: Mr Goh +6012-7749785

Response time	<300ms
<b>Interface</b>	
Internet interface	RJ45 10M/100M Ethernet
Weigand port	Support input/output 26 and 34
Alarm output	1channel relay output
USB port	1USB port (Can be connected to ID identifier)
<b>General</b>	
Power input	DC 12V/3A
Power consumption	20W(MAX)
Working temperature	0°C ~ +50°C
Humidity	5~90%, no condense
Dimension	154(W) * 89(H) *361.4(L)mm
Weight	2.1 kg

### Interface:



Distributor: EMS Test Measurement Sdn Bhd

No.76, Jalan Masjaya 1, Kawasan Perindustrian Mas Jaya

43200 Cheras, Selangor, Malaysia / Web: [www.ems-info.com.my](http://www.ems-info.com.my)

Central: Mr Desmond +6012-6960917 / Mr Bruce +6012-2245660

Northern: Mr Lawrence +012-4873753 / Mr Alvin +6012-4701023 / Mr John +6017-8592338

Southern: Mr Goh +6012-7749785

Distributor: EMS Test Measurement Sdn Bhd

No.76, Jalan Masjaya 1, Kawasan Perindustrian Mas Jaya

43200 Cheras, Selangor, Malaysia / Web: [www.ems-info.com.my](http://www.ems-info.com.my)

Central: Mr Desmond +6012-6960917 / Mr Bruce +6012-2245660

Northern: Mr Lawrence +012-4873753 / Mr Alvin +6012-4701023 / Mr John +6017-8592338

Southern: Mr Goh +6012-7749785